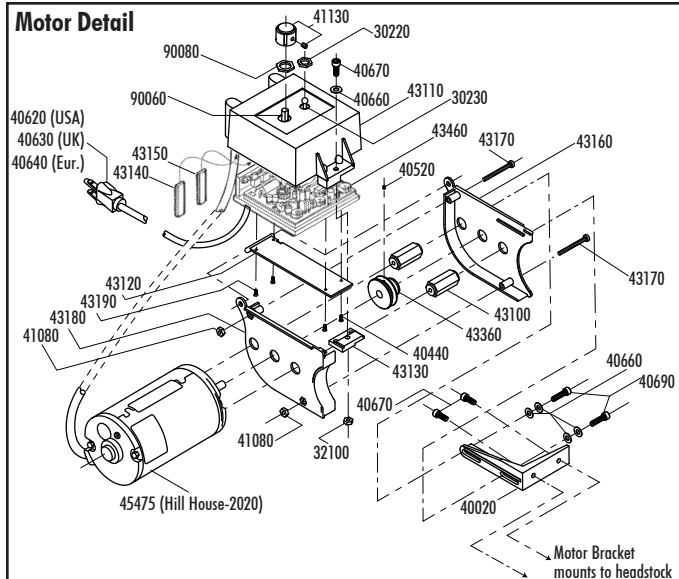


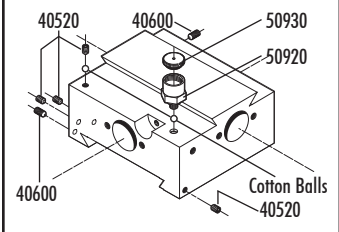
Motor Detail



Sherline 6600 CNC Chucker Lathe

Exploded View and Part Numbers

Chucker Saddle Oiler Detail



Ball Screw Coupling prior to 12/1/18

